

Let's compare length, height and mass!

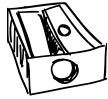
Which Weighs More?

Name: \_\_\_\_\_

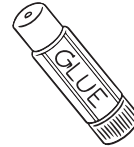
Date: \_\_\_\_\_



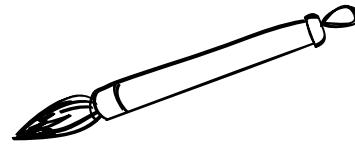
Using scales can you find these items in the classroom, weigh them and then colour in the heaviest item?



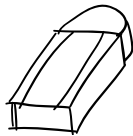
or



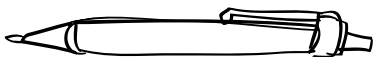
or



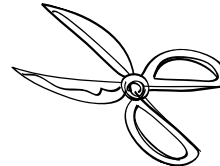
or



or



or



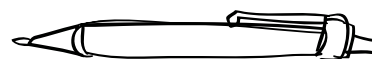
or



or



or



Let's compare length, height and mass!

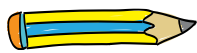
Heavy or Light?

Name: \_\_\_\_\_

Date: \_\_\_\_\_



Read the sentence and tick the correct box.



Tick the lightest object.



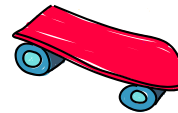
Tick the animal that is the heaviest.



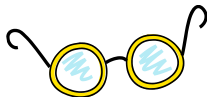
Which object is lighter?



Tick the object that is the lightest.



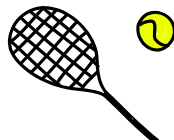
Which weighs less?



Which object is heavier?



Which animal weighs more?



Which weighs the most?

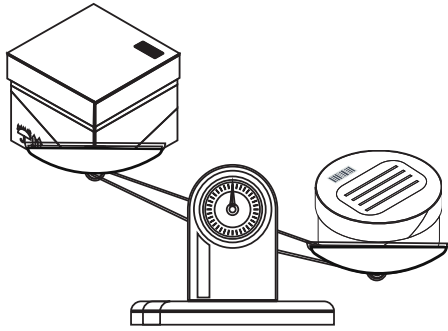


Name: \_\_\_\_\_

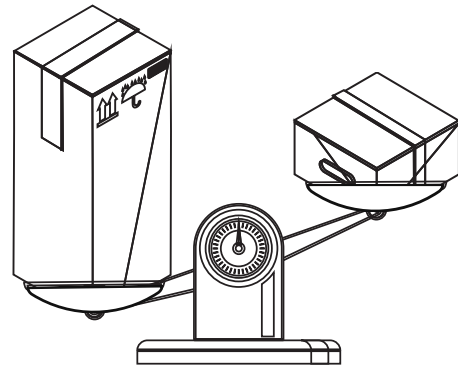
Date: \_\_\_\_\_



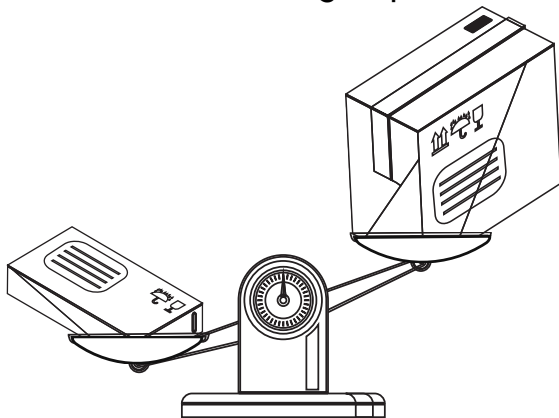
Can you colour the heavier parcels in red and the lighter parcels in green? Then complete the sentence.



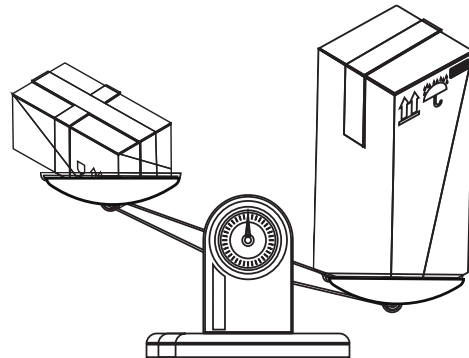
The smaller parcel is heavier than the larger parcel.



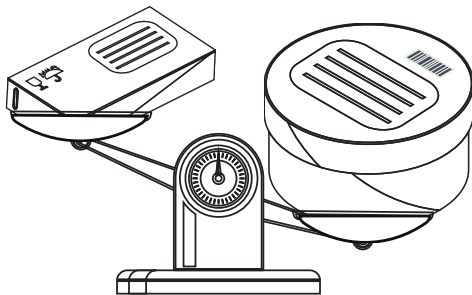
The smaller parcel is lighter than the larger parcel.



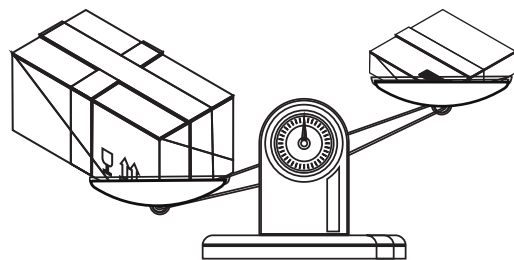
The larger parcel is \_\_\_\_\_ the smaller parcel.



The larger parcel is \_\_\_\_\_ the smaller parcel.



The smaller parcel is \_\_\_\_\_ the larger parcel.



The larger parcel is \_\_\_\_\_ the smaller parcel.

Name: \_\_\_\_\_

Date: \_\_\_\_\_



Today I have been describing and comparing different weights.



Stick your photo here

Which resources did you use?

Blank space for writing the answer to the question 'Which resources did you use?'

Draw the face on the bee to self-assess your work.

